

RAPID RESPONSE INTERNAL GRILLE WITH CLIP-IN SPIGOT



DESCRIPTION

The Rapid Response ceiling grille features a unique spigot that can be fitted for horizontal or vertical oriented duct connection, making them suitable for narrow ceiling voids such as between floors or within cathedral ceilings. It works in conjunction with roof, in-line or external wall mounted fans in domestic and light commercial applications and feature a modern, low resistance grille.

Features

- Spigot can be fitted horizontally or vertically.
- Available with a square flush to the ceiling modern grille.
- Fits a standard 10" round fan cut out.
- Unique 'push-out' ceiling clamps make installation easy.
- Clip-in spigot makes installation and duct connection easier.
- Grille can be easily removed for cleaning.

Typical Applications

Installed in conjunction with a duct mounted fan in toilets, bathrooms, laundries, kitchens and ensuites.

Construction

Grille is of injection-moulded ABS plastic. Cushion head box and spigot are of polyethylene.

Testing

Air flow tests based on ISO5801:2007

SUGGESTED SPECIFICATION

The ceiling grilles shall be of the Rapid Response Series as supplied by Fantech and be of the model number shown on the schedule/drawing.

Spigot can be fitted for horizontal or vertical duct connection. Its grille shall be manufactured from injection-moulded ABS plastic. It shall include an oval spigot that is suitable for 150mm duct. Grilles shall be tested to ISO5801:2007 for air flow.

HOW TO ORDER

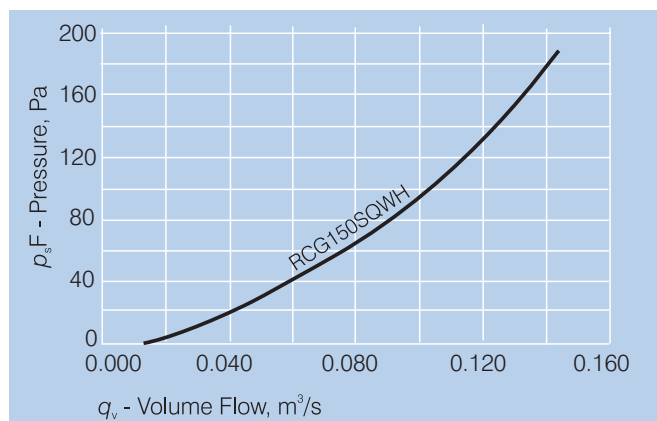
Select the grille to suit the dimensions of the plasterboard hole or preference of grille style.



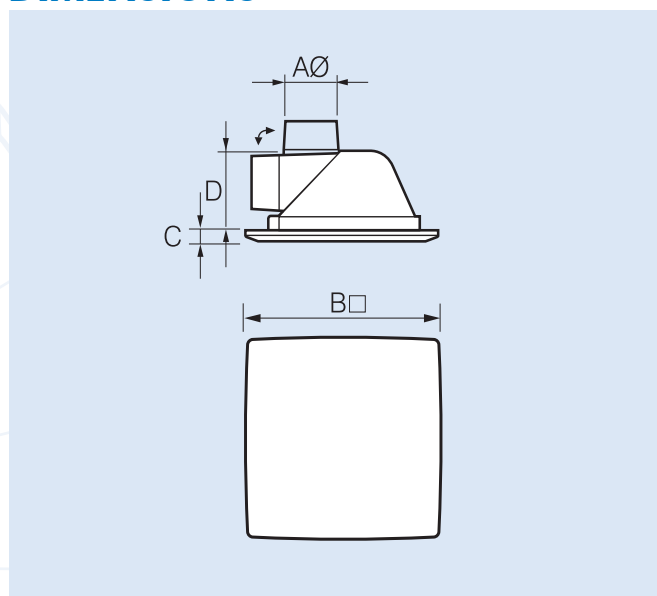
Scan the QR Code to view more information online.



PRESSURE LOSS



DIMENSIONS



Model	Dimensions, mm				Hole Cutout \emptyset
	A \emptyset *	\square B	C	D	
RCG... 150SQWH	150	353	30	132	250

*Nominal duct diameter